

# Raehills, Annandale Estates, Lockerbie



Raehills, a privately owned country house and sporting estate.



ETA Hack 130kW wood chip boiler



Customers woodchip, being delivered into the fuel store

Woodchip being transported into the fuel store

Name of Project	Raehills
Location	Lockerbie
Boiler Type	ETA Hack 130
Maximum rated output	130Kw
Fuel	Woodchip
Maximum moisture content of fuel	35%
Maximum size of chip	G50
Auxiliary boiler	75kW Oil boiler
Commissioned	April 2009

### A Testimonial from Lord Johnstone:

“ This year we have installed an Eta boiler here at Raehills, replacing the two old oil boilers and fueling the new boiler from wood that has been harvested on the estate. It has worked very well providing a level of warmth that we have not had before.

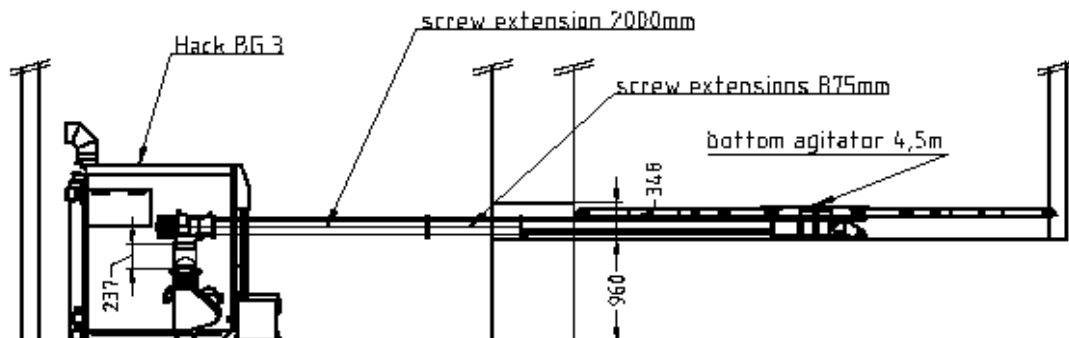
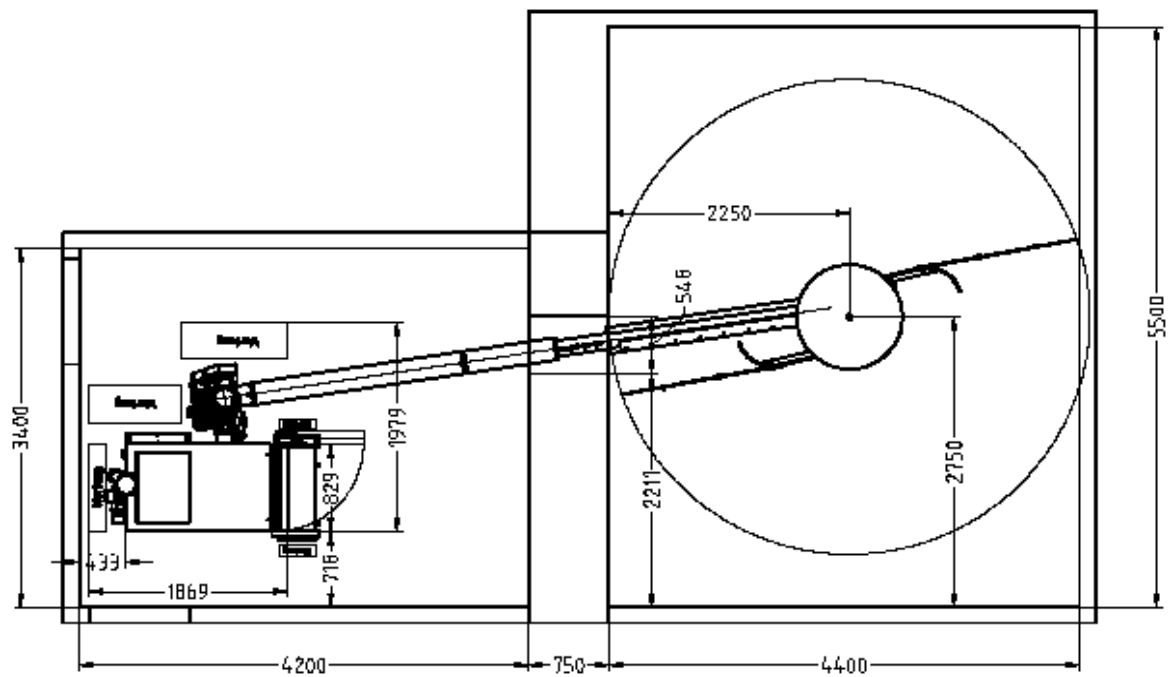
It is difficult to compare like for like, as before we run the boilers on a limited timed basis, but are now running the boiler 24/7 and keeping the house at a steady temperature. Last year we used around 30000 litres of Kerosene, which equates at current prices to about £15000. I will know how much wood we get through in the spring, but I estimate about 150 tonnes. It costs about £30/tonne to make the chip, so the cost of running will be in the region of £5500 per annum including the electricity costs. This represents a significant saving to us, and if oil starts to return to the levels that we saw a couple of years ago, the difference will get bigger”



[WWW.JONES-NASH.COM](http://WWW.JONES-NASH.COM)

*Lord Johnstone*  
*Annandale Estates*

[www.annandalestates.co.uk](http://www.annandalestates.co.uk)  
[www.raehills.com](http://www.raehills.com)



Planungsvorschlag	Großhändler / GH :-	Installateur / Heizungsbauer
<b>ETA</b> Heiztechnik GmbH Gewerkepark 1 4576 Hülfters/Wr. Planungsvorschlag ist unverbindlich Hinweis auf den Zeichnungs titel zu beachten	Betreiber / Bauvorhaben	Jones Nash Ltd.
Datum 02.07.2008	Name cma.lecc	Maßstab 1:50
Dateiname	HAHack\Anlagen\2008\GB\Nash\20080623-Ducker-S-1NB.dwg	ASH